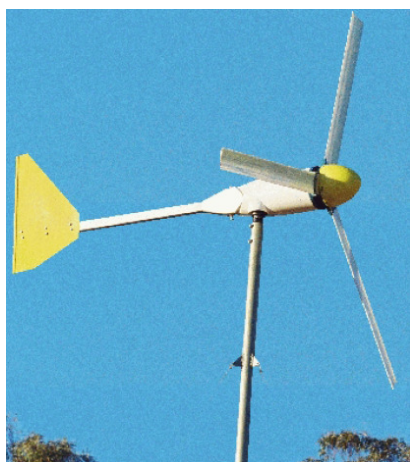


LWG Wind Turbine Series

The LWG Series is a range of high specification, high output wind turbines designed for domestic and industrial applications.



The LWG series is a range of high specification wind turbine systems that are applicable to a wide range of domestic, agricultural and industrial uses. These uses include the provision of power for communications systems, remote telemetry systems, lighting for motorway roadworks, outhouses and the supplementing or replacement of domestic utility grid connections

Features Common to the Series

The following features are common to all models in the LWG series:

- Generator: the generator is an integrated, high efficiency design that produces three phase current and utilizes rare earth permanent magnets. Operation is stable, efficiency is high.
- Rotor and Blades: three high performance blades with high Lift-drag ratio. Blades are constructed from pultruded glass fiber.
- Tail: triangular shaped steel tail fin connected to the generator body through a furling boom, designed to automatically protect the generator in very high winds
- Controller: implemented as a separate unit and supplied as part of the overall system. It supplies the following features:
 - tracks and checks battery terminal voltage
 - Over-charge protection
 - Over-discharge protection
 - Over-load protection

- Short-circuit protection
- Thermal protection

Easy to Install

All models in the LWG series are designed to be easy to install. The system is integrated into a minimum number of separate components such that it is easy for non experts to install a basic system.

The LWG turbines may be supplied with an optional tilt-up tower kit which consists of all components necessary to create a guyed, tilt-up tower of between 6 and 9 meters.

Figure 1 depicts a typical LWG installation.

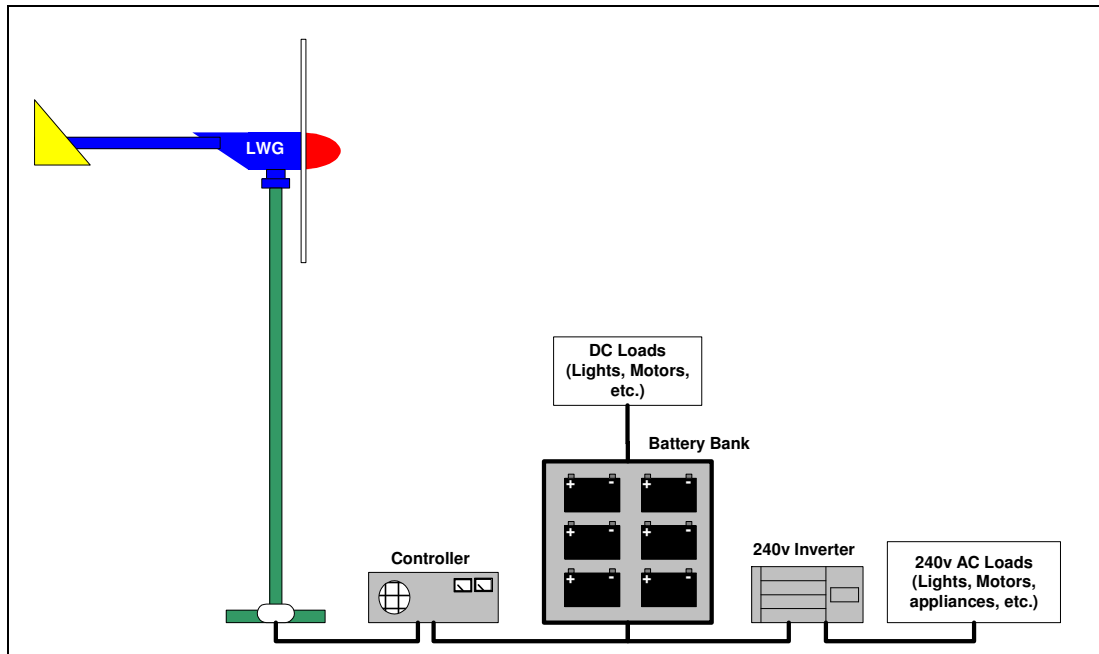
The Product Range

The series consists of five models:

- LWG-300-12 capable of generating a rated 300 watts at 12 volts
- LWG-300-24 capable of generating a rated 300 watts at 24 volts
- LWG-500 capable of generating 500 watts
- LWG-1000 capable of generating 1 kilowatt
- LWG-2000 capable of generating 2 kilowatts

Please see the model comparison table for the detailed specifications of each of these models.

Typical LWG Installation



Detailed Specifications

Feature	LWG-300-12	LWG-300-24	LWG-500	LWG-1000	LWG-2000
Generator Type	3 phase generator with rare-earth permanent magnets				
Blade/Rotor Construction	3 Blades, Pulltruded Fibreglass				
Tail and Boom	Furling tail/boom mechanism for protection in high winds				
Controller Features	Phase rectification, battery voltage checking, over-charge protection, over-discharge protection, over-load protection, short-circuit protection, thermal protection				
Controller	12v model	24v model	24v model	48v model	250v model
Rated Power (watts)	300	300	500	1000	2000
Maximum Power (watts)	350	350	800	1500	3000
Output Voltage	12v	24v	24v	48v	250v
Rotor Diameter	2.5 meters	2.5 meters	2.7 meters	3.0 meters	3.8 meters
Rated Rotation (RPM)	400	400	400	450	250
Working wind speed Range (meters/sec)	3 → 25				4 → 30
Optional tower Height	6 meters	6 meters	6 meters	9m	9m

TO ORDER:

To order an Energy Liberators product, please call (087) 2375153 or email info@energyliberators.com. Outside Ireland, please call +353 87 2375153.

Version 4.0 August 2006

© 2006 Energy Liberators Ltd. All rights reserved. This data sheet is for informational purposes only. ENERGY LIBERATORS LTD MAKES NO WARRANTIES, EXPRESS OR IMPLIED, IN THIS SUMMARY. The names of actual companies and products mentioned herein may be the trademarks of their respective owners.